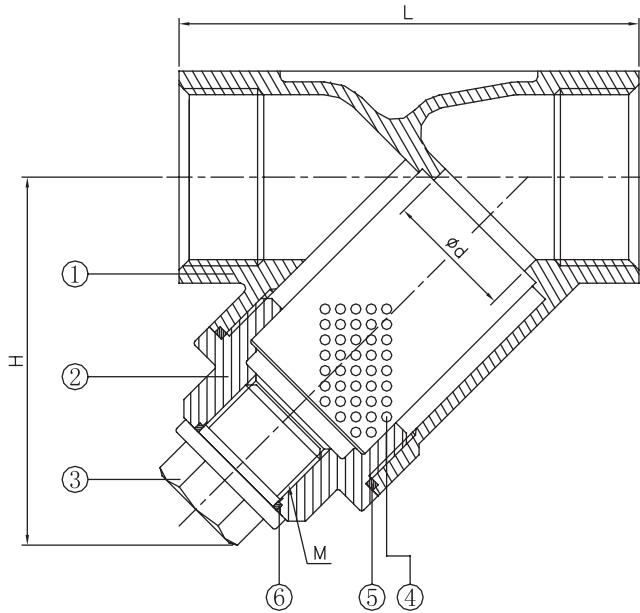




FEATURES



- 1/4"~3" (DN8~DN80)
- W.P. : 800 WOG (PN50)
- W.T. : -20°C~200°C (-4°F~392°F)
- Investment casting
- Thread type : ASME B1.20.1 (NPT)
DIN2999 & BS21
ISO7/1 & EN10226



ITEM	PARTS	MATERIAL
1	BODY	ASTM A351-CF8M
2	CAP	
3	DRAIN PLUG	AISI 316
4	SCREEN	
5	SEAL	PTFE
6	GASKET	

DN	d	L	H	M
8	15	65	46.5	1/4"-PF
10	15	65	46.5	1/4"-PF
15	15	65	46.5	1/4"-PF
20	20	80	54	1/4"-PF
25	25	90	67	1/2"-PF
32	32	105	74	1/2"-PF
40	40	120	81.5	1/2"-PF
50	50	140	95	1/2"-PF
65	65	180	121.3	1/2"-PF
80	80	200	138.3	1/2"-PF

unit:mm

NPS	d	L	H	M
1/4"	0.59	2.56	1.83	1/4"-PF
3/8"	0.59	2.56	1.83	1/4"-PF
1/2"	0.59	2.56	1.83	1/4"-PF
3/4"	0.79	3.15	2.13	1/4"-PF
1"	0.98	3.54	2.64	1/2"-PF
1-1/4"	1.26	4.13	2.91	1/2"-PF
1-1/2"	1.57	4.72	3.21	1/2"-PF
2"	1.97	5.51	3.74	1/2"-PF
2-1/2"	2.56	7.09	4.78	1/2"-PF
3"	3.15	7.87	5.44	1/2"-PF

unit:in